

Camera - Triple - Forward Facing (Remove and Replace)



Correction code 17231002 FRT 0.30


NOTE: Unless otherwise explicitly stated in the procedure, the above correction code and FRT reflect all of the work required to perform this procedure, including the linked procedures. **Do not stack correction codes unless explicitly told to do so.**

NOTE: See [Flat Rate Times](#) to learn more about FRTs and how they are created. To provide feedback on FRT values, email ServiceManualFeedback@tesla.com.

NOTE: See [Personal Protection](#) to make sure wearing proper PPE when performing the below procedure. See [Ergonomic Precautions](#) for safe and healthy working practices.

Torque Specifications

Table 1. Torque Specifications: [Camera - Triple - Forward Facing \(Remove and Replace\)](#)

Description	Torque Value	Recommended Tools	Reuse/Replace	Notes
Forward facing camera assembly to windshield bracket screws	 1 Nm (.7 lbs-ft)	<ul style="list-style-type: none"> Torx T10 blade attachment Wiha TorqueVario-S 0.8 Nm - 2.0 Nm screwdriver (installation only) 	Replace	

Remove

[Expand All](#)

[Collapse All](#)

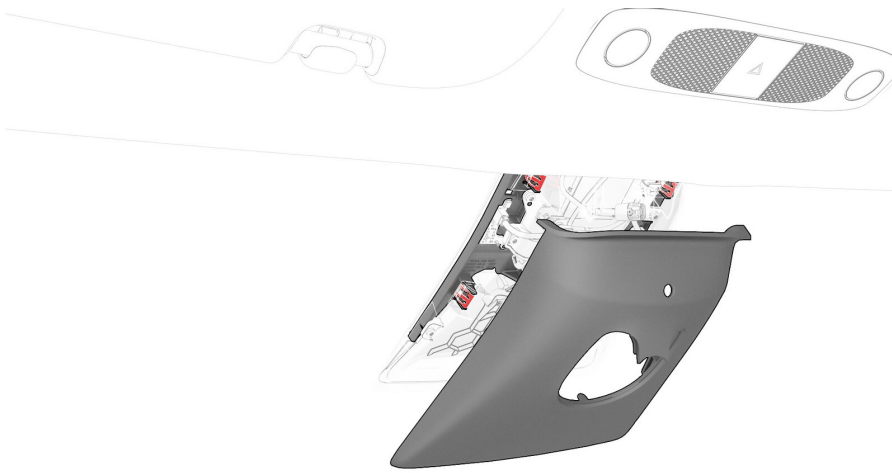
WARNING

Whenever a camera has been moved out of its original position (for example, a camera or windshield replacement), camera calibration data must be cleared using the vehicle touchscreen: **Controls > Service > Camera Calibration > Clear Calibration.**

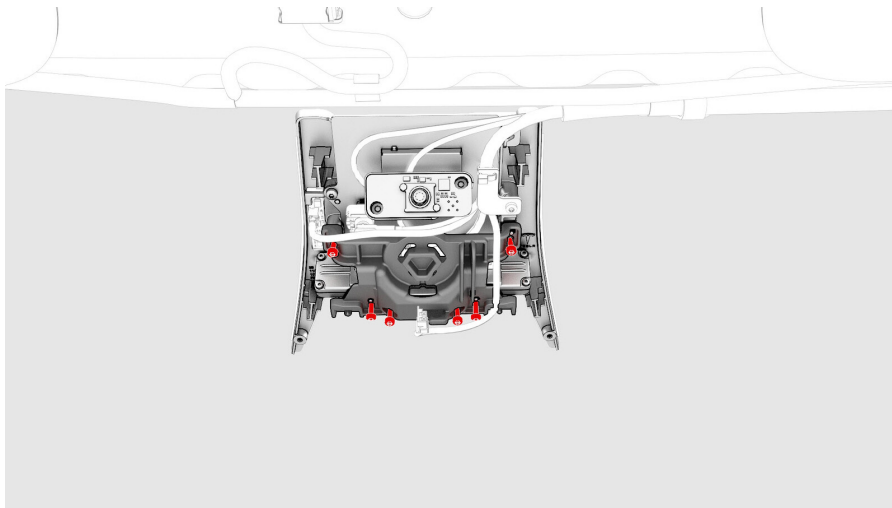
1. Remove the rear view mirror. See [Mirror - Rear View \(Remove and Replace\)](#) + .
2. Release the clips that attach the upper quad camera cover to the windshield bracket, and then separate the cover from the bracket.

CAUTION

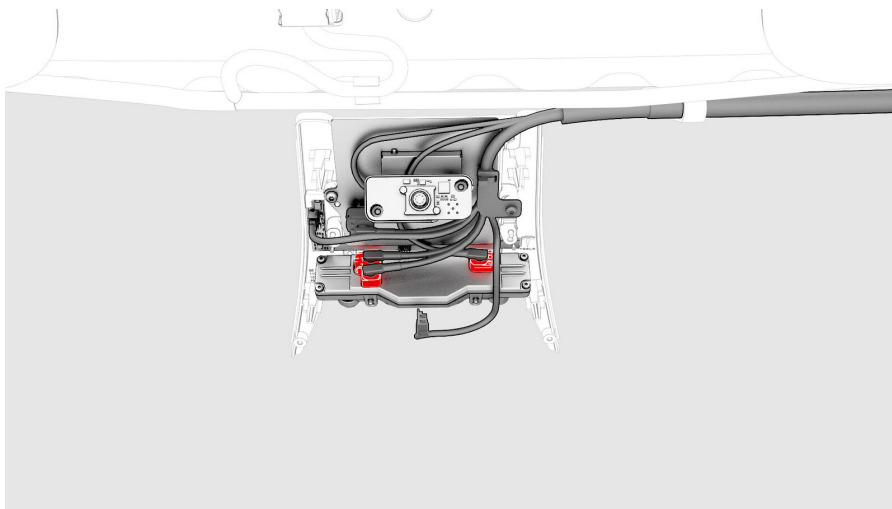
Carefully release the cover from the windshield bracket, as an electrical harness is still attached.



3. Disconnect the electrical harness from the occupant camera on the inside of the upper quad camera cover, and then remove the camera cover from the vehicle.
4. Remove the triple camera hood. See [Glare Shield \(Remove and Replace\)](#) + .
5. Remove the screws (x6) that attach the mount plate to the forward facing camera and the windshield bracket, and then remove the mount plate from the vehicle.



6. Disconnect the electrical harness from the forward facing camera connectors.

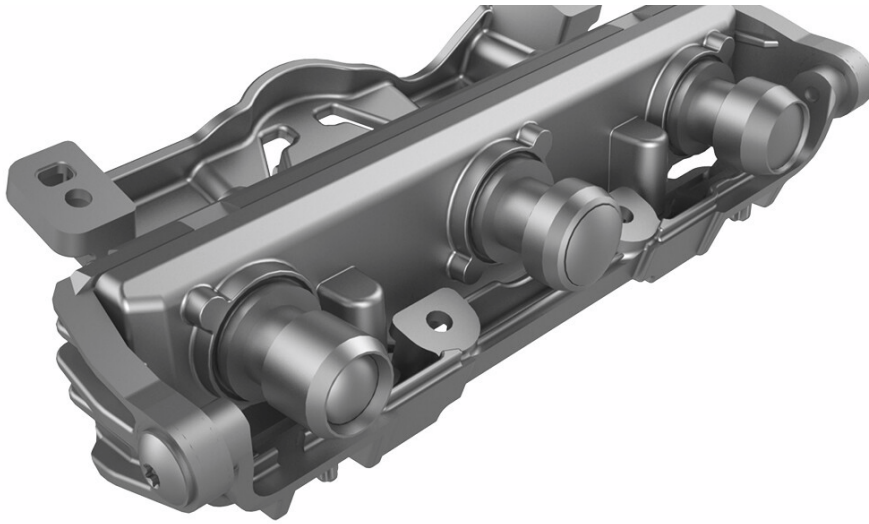


7. Remove the forward facing camera from the vehicle.

TIP

Rotate the electrical connectors to the side to allow better grip of the forward facing camera.






Install

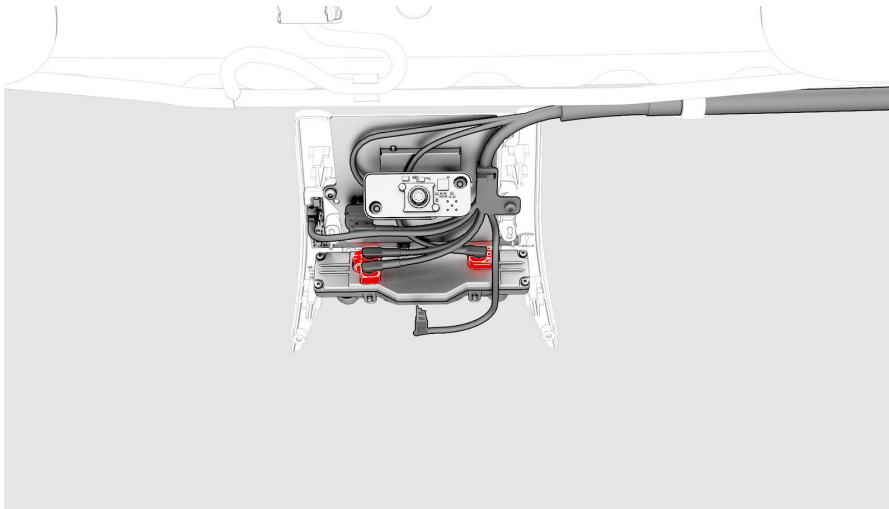
[Expand All](#)[Collapse All](#)

1. Clean the inner windshield camera viewing area with a clean microfiber cloth and glass cleaner. Let the windshield fully dry before continuing.


 **CAUTION**

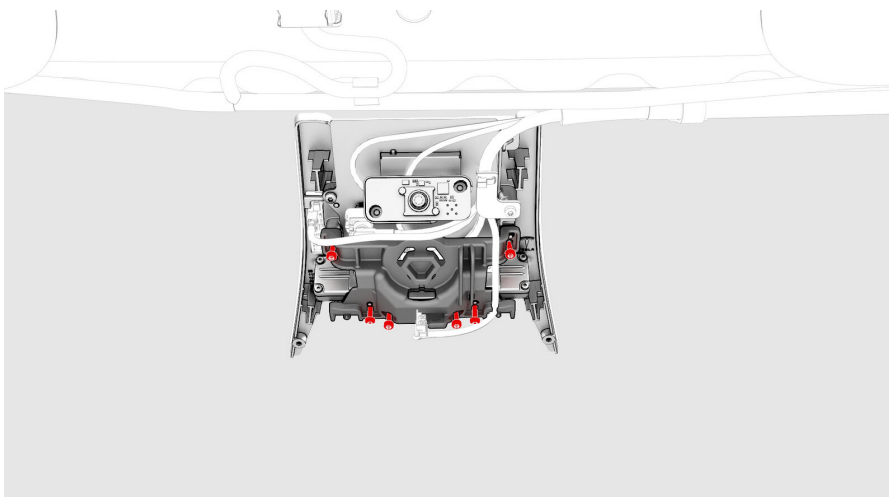
Verify that the windshield has no stains or leftover residue. Otherwise, Autopilot features may be hindered.

2. Install the forward facing camera to the windshield bracket, and then connect the electrical harness to the camera connectors.



3. Install the mount plate to the forward facing camera and the windshield bracket, and then install the screws (x6) that attach the mount plate to the camera and bracket.

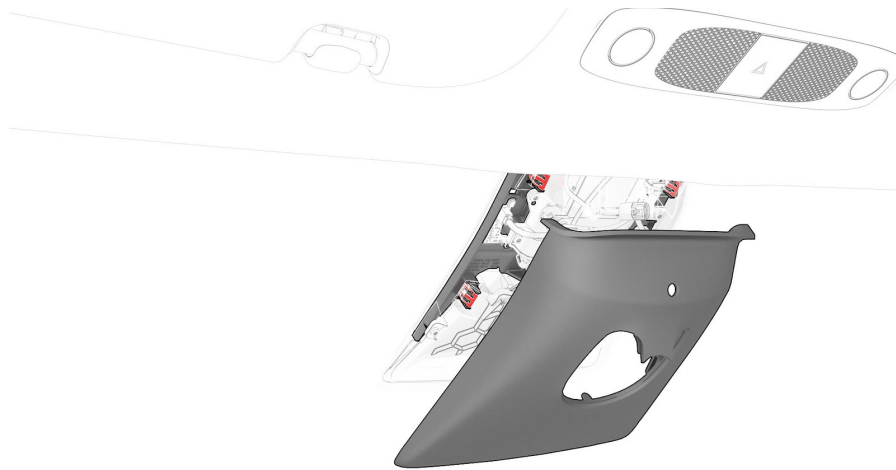
 **1 Nm (.7 lbs-ft)**



4. Install the triple camera hood. See [Glare Shield \(Remove and Replace\)](#) + .
5. Bring the upper quad camera cover to the windshield bracket, and then connect the electrical harness to the occupant camera on the inside of the cover.
6. Fasten the clips that attach the upper quad camera cover to the windshield bracket.

i NOTE

Make sure that the connector for the rear view mirror passes through the opening in the upper quad camera cover.



7. Install the rear view mirror. See [Mirror - Rear View \(Remove and Replace\)](#) + .
8. Adjust the forward facing camera. See [Camera - Forward Facing \(Pitch Verification\)](#) + .